



XT:LINE Analog Audio Extender Transmitter

Article number: 500041

EAN: 4260393850934

Customs Code: 85198100



Rückseite



Frontseite

The trivum audio extender devices are professional solutions for transmitting audio signals over large distances using standard network cables.

The trivum XT:LINE is an audio transmitter with analog inputs. In connection with the optionally available XR:LINE, you can, for example, transmit the sound of a TV or CD player to the technical room using a CAT cable. There the trivum XR:LINE receiver then forwards the audio signal to an amplifier or multiroom system. If the source or a control device provides a trigger signal, this signal is passed on to the receiver.

The trivum Audio Extender solution has the following advantages compared to direct connections (simple adapters or adapters with galvanic isolation):

Up to 300 meters

The active symmetrical transmission of the signals (audio + trigger + power supply) is the basis of the trivum Audio Extender solution.

Interference-free

The symmetrical audio transmission minimizes interference noises caused by interference in the cable route. Due to its advantages, this complex technical solution is standard in many studios today.

Hum-free

The active galvanic isolation of the transmitter and receiver means that there can be no hum loop caused by potential differences.

Neutral sound

Contrary to the the solution using passive galvanic isolation with transformers, the transformerless digital isolators in the trivum solution is tonally better, because transformers change the sound by clipping the frequency response and adding distortion. The isolators and OP-Amps used in the active trivum extenders are technically far superior to the passive solution.

No delay

Contrary to the products that work over IP networks, the trivum solution has no delay. IP solutions (radio or cable) have to digitize the audio signal, then transfer the data in packets over the network, then reassemble them in a buffer in order to finally convert them into an audio signal. That takes too long to e.g. transmit TV sound lip-synchronously.

Trigger signal

A trigger signal is transmitted potential-free from the transmitter to the receiver. The voltage is adjusted to 12V. The trigger input reacts with high resistance to voltages between 5V and 24V. The trigger signal is then available at the receiver with a load capacity of 12V / 80mA.

Groundlift switch

Ground lift prevents hum loops as it separates the signal ground from the transmitter and receiver. Groundlift should therefore be active by default. In rare cases it can still be helpful not to activate the ground lift: If excessive interference is not produced by ground loops. These disturbances (whistling, buzzing, rattling) are caused by unclean switching power supplies or plug-in power supplies without grounding.

Easy placement

Contrary to the passive galvanic isolation using transformers, the trivum solution is not magnetically susceptible to interference. Therefore, the adapter can be placed anywhere, including in the area of power supplies.



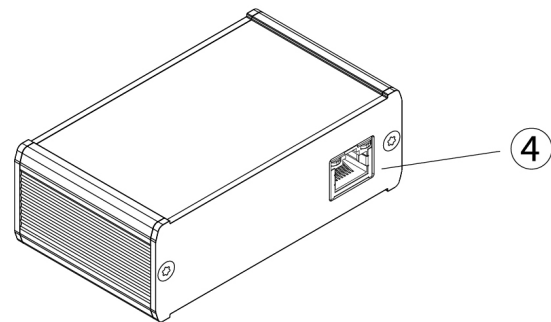
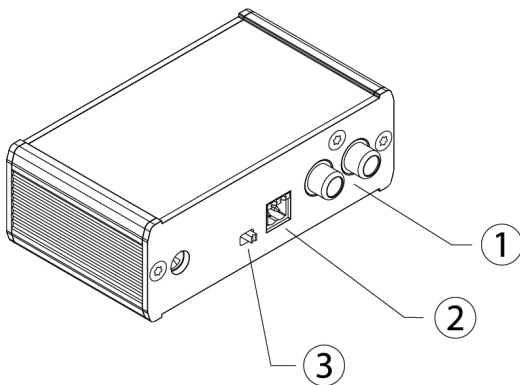
Technical data

Article number: 500041

EAN: 4260393850934

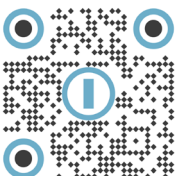
Customs Code: 85198100

Connections (input)	2x RCA (1x analog stereo L / R) 1x 2-pin socket with terminal block 1x socket for barrel connector (power supply)
Connections (output)	1x RJ45 (1x audio bus with CAT 5/6/7 cable up to 300m)
Operating temperatur	0°C to 50°C
Operating voltage	12-15V (connect power supply either to the transmitter or to the receiver)
Power consumption	at 12V 65mA
Trigger Input	5-24V DC / AC voltage
Casing	aluminum
Color	Black
Dimensions (WxDxH)	95x55x32mm
Weight	0.116kg
Scope of supply	1x trivum XT:LINE analog audio Transmitter 4x self-adhesive rubber feet (black) 1x 2-pole terminal block for trigger input Note: There is no 15V power supply included Note: There is no XR:LINE audio receiver included



1 Analog Stereo Line Input
2 Trigger Input

3 Ground-Lift Switch
4 Audiobus Out



As of 08/2021. We reserve the right to make misprints, mistakes and changes in the case of product progress, even without prior notice.

trivum technologies GmbH
Eierstrasse 48
70199 Stuttgart
Tel.: +49 (0)711 64 56 07-10
Fax: +49 (0)711 64 56 07-16
info@trivum.com